

DESIGNER RANGEHOODS

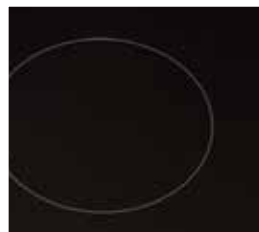
Unclutter your kitchen with simple lines. Our effortless range of extraction hoods offer reliability and functionality without compromising performance.



SINKS



RANGEHOODS



COOKTOPS



OVENS



LAUNDRY



WASTE DISPOSALS

WALL UNITS

WALL UNIT - IK5060

COLOUR: Stainless Steel, White

CAPACITY: Up to 800M3/HOUR

STAINLESS STEEL 60cm CODE: 198B4

WHITE 60cm CODE: 198B4W

Extension flues are available



WALL UNIT - IK50

COLOUR: Stainless Steel, White

CAPACITY: Up to 800M3/HOUR

STAINLESS STEEL 90cm CODE: 198B2

WHITE 90cm CODE: 198B2W

Extension flues are available



WALL UNIT - IK90

COLOUR: Stainless Steel

CAPACITY: Up to 800M3/HOUR

90cm CODE: 198Z

Extension flues are available



WALL UNITS

WALL UNIT - IK80

COLOUR: Stainless Steel
CAPACITY: Up to 800M3/HOUR
60cm CODE: 198D6
90cm CODE: 198D

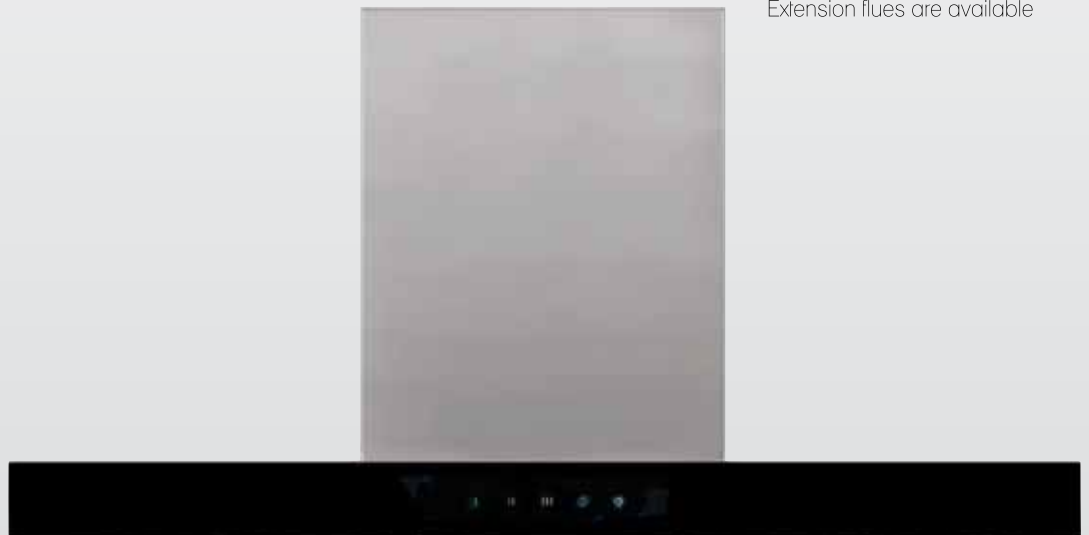
Extension flues are available



WALL UNIT - IK70

COLOUR: Stainless Steel, White
CAPACITY: Up to 800M3/HOUR
60cm CODE: IK7060
90cm CODE: IK7090
120cm CODE: IK70120

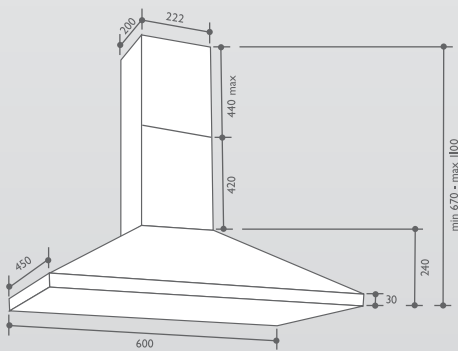
Extension flues are available



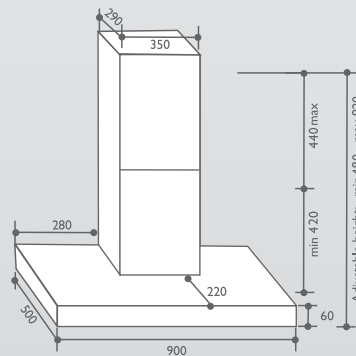
WALL UNITS

SPECIFICATIONS

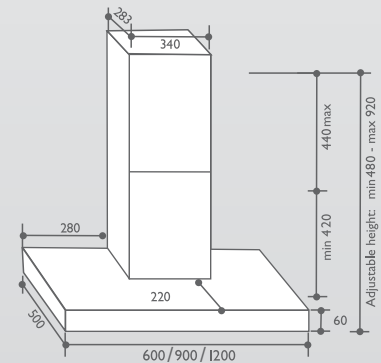
	WALL UNIT - IK5060	WALL UNIT - IK50	WALL UNIT - IK90	WALL UNIT - IK80	WALL UNIT - IK70
SIZE (mm)	600W x 450D	900W x 480D	900W x 500D	600W x 480D 900W x 480D	600W x 500D 900W x 500D 1200W x 500D
HEIGHT (mm)	670 min 1100 max	670 min 1100 max	480 min 920 max	650 min 940 max	480 min 920 max
ELECTRICITY SUPPLY & CONNECTION	220-240v, 50Hz. Connected Power Cord with 3 pin plug suitable for standard 10 Amp G.P.O.				
CONTROLS	Soft touch electronic with blue LCD display screen			Touch control	
SPEEDS	Six plus separate OFF Push Button			3 Speeds	
ILLUMINATION	Two 20 Watt 12V Halogen. Separate ON/OFF button				
SUPPLIED	Instructions for installation, operation and maintenance, screws & brackets for mounting. One way butterfly valve (optional use)				
NOISE RATING	≤65dBA				
WATTAGE (W)	Motor: 198 Watt Lights: 2 x 20 Watt halogen (12v) Total Max: 238 W				
DUCTING	150mm pipe required (not supplied). Can be recirculated using Charcoal filters.				
FEATURES	Delay timer and filter warning			Delay timer	



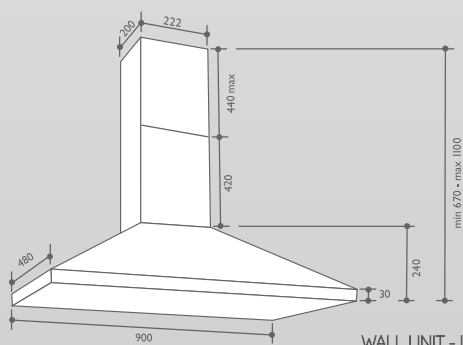
WALL UNIT - IK5060



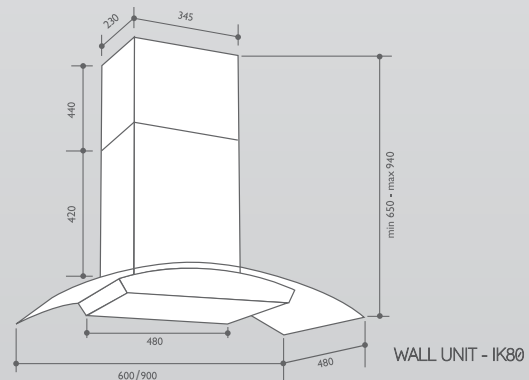
WALL UNIT - IK90



WALL UNIT - IK70



WALL UNIT - IK50



WALL UNIT - IK80

ISLAND & CORNER UNITS

ISLAND UNIT - IK90IS

COLOUR: Stainless Steel
CAPACITY: Up to 800M3/HOUR
CODE: 198ZIS

Extension flues are available



ISLAND UNIT - IK80IS

COLOUR: Stainless Steel
CAPACITY: Up to 800M3/HOUR
CODE: 198DIS

Extension flues are available



CORNER UNIT - IK59

COLOUR: Stainless Steel
CAPACITY: Up to 850m3/h
CODE: 198S

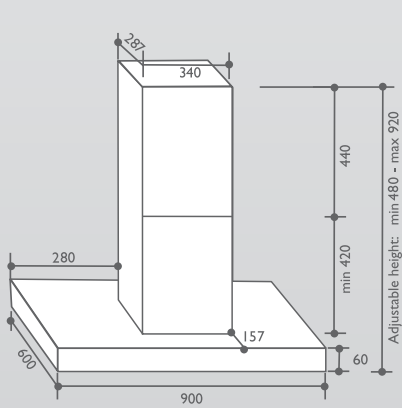
Extension flues are available



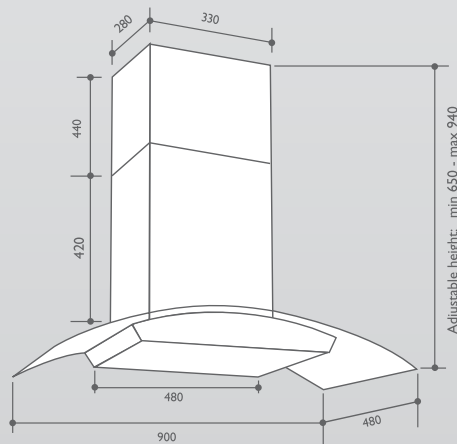
ISLAND & CORNER UNITS

SPECIFICATIONS

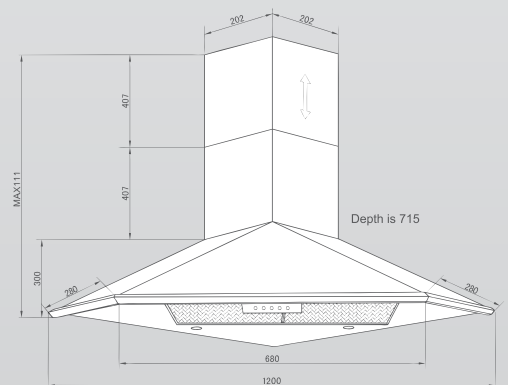
	ISLAND UNIT - IK90IS	ISLAND UNIT - IK80IS	CORNER UNIT - IK59
SIZE (mm)	900W x 600D	900W x 600D	680 front x 1200 back
HEIGHT (mm)	480 min 920 max	650 min 940 max	717 min 1111 max
ELECTRICITY SUPPLY & CONNECTION	220-240v, 50Hz. Connected Power Cord with 3 pin plug suitable for standard 10 Amp G.P.O.		
CONTROLS	Soft touch electronic with blue LCD display screen		Mechanical switch
SPEEDS	Six plus separate OFF Push Button		3 speed Separate ON/OFF button
ILLUMINATION	Four 20 Watt 12V Halogen. Separate ON/OFF button		Two 20 Watt 12V halogen
SUPPLIED	Instructions for installation, operation and maintenance, screws & brackets for mounting. One way butterfly valve (optional use)		
NOISE RATING	≤65dBA		
WATTAGE (w)	Motor: 198 Watt Lights: 4 x 20 Watt halogen (12v) Total Max: 278 W		Motor: 198 Watt Lights: 2 x 20 Watt halogen (12v) Total Max: 278 W
DUCTING	150mm pipe required (not supplied). Can be recirculated using Charcoal filters.		
FEATURES	Delay timer		Grease Trap filter.



ISLAND UNIT - IK90IS



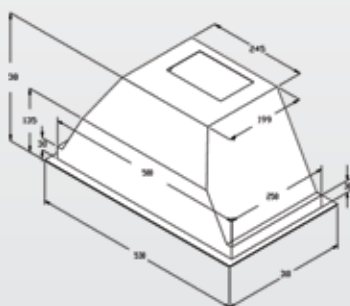
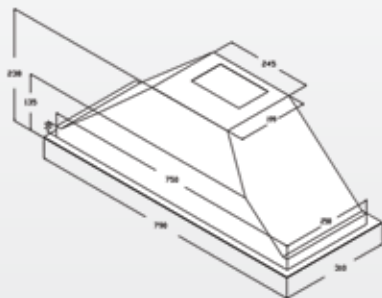
ISLAND UNIT - IK80IS



CORNER UNIT - IK59

POWER PACK - IK40

COLOUR: Stainless Steel **CAPACITY:** Up to 500M3/HOUR
60 cm CODE: 11706S **90 cm CODE:** 11709S

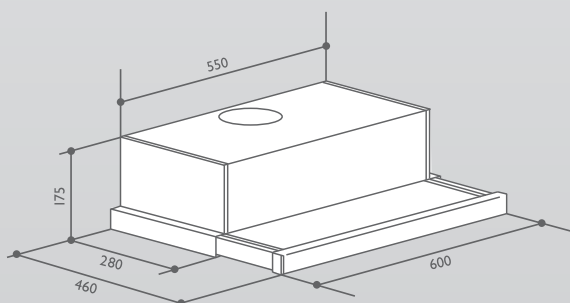


SPECIFICATIONS

SIZE	530mmW x 310mmD - 60cm 790mmW x 310mmD - 90cm
ELECTRICITY SUPPLY & CONNECTION	220-240v, 50Hz Connected Power Cord with 3 pin plug suitable for standard 10 Amp G.P.O.
WATTAGE	Motor: 220 Watt Total Maximum: 320 Watts
NOISE RATING	≤54dBA
ILLUMINATION	Two 50 Watt 12V Halogen
SPEEDS	Three plus separate ON/OFF button
SUPPLIED	Instructions for installation, operation and maintenance, screws for mounting. One way butterfly valve (optional use)
CONTROLS	Soft touch electronic with green digital display screen
DUCTING	125mm pipe required (not supplied). Can be recirculated using Charcoal filters.
EXTRA FEATURES	Delay timer

SLIDE OUT - IK30

COLOUR: Stainless Steel, White **CAPACITY:** Up to 440M3/HOUR
STAINLESS STEEL CODE: IK30S **WHITE CODE:** IK30W



SPECIFICATIONS

SIZE	600mmW x 280mmD-460mmD
ELECTRICITY SUPPLY & CONNECTION	220-240v, 50Hz Connected Power Cord with 3 pin plug suitable for standard 10 Amp G.P.O.
WATTAGE	Motor: 2 x 100 Watt Total Maximum: 280 Watts
NOISE RATING	≤54dBA
SPEEDS	Three
ILLUMINATION	Two 40 Watt ES Candle lights
SUPPLIED	Instructions for installation, operation and maintenance, screws for mounting. One way butterfly valve (optional use)
CONTROLS	Mechanical switch
DUCTING	125mm pipe required (not supplied). Can be recirculated using Charcoal filters.
EXTRA FEATURES	Top mount or back mount

GENERAL INFORMATION

APPLICATION:

Designed for wall or island mounting above a cooktop, the Ikon range, two part telescopic flue is perfect for kitchens with heights to 2.4m. Small increments greater than 2.4m heights can be gained by increasing the bench height and / or the gap between the underside of the hood and the benchtop.

PERFORMANCE:

With an air extraction of 800m³/hour, the more vigorous styles of cooking such as pasta boiling, griddle, and stir frying are catered for. A single touch of the speed control will reduce the power to suit the gentles of simmers.

LOW MAINTENANCE:

Easy cleaning is a premium with wipe over 18/10 stainless steel. The three lift-out aluminium four ply grease filters are even dishwasher safe. The lighting and controls are positioned away from most of the vapour trail.

QUIETNESS:

The motor/impeller encasement and internal flue are smooth walled to eliminate air drag and noise, hand finished welded metal joins for no vibration.

DUCTING:

Extracting the air direct to atmosphere ensures the maximum removal of grease/oil/particle laden vapour, odours and very importantly, the heat resulting in a cleaner, more comfortable cooking environment.

An internal ducting pipe could, ideally, continue in a straight line within the decorative flue to the kitchen ceiling then through the roof cavity and exit via a roof cowl.

DUCTING MATERIAL:

The smooth internal wall of either galvanised sheetmetal piping or high temperature resistant PVC will assist in both greater unobstructed air flow and a quieter operation. Flexible ducting can be considered for the very short run and difficult obtuse bends.

WARRANTY:

Two years parts and labour

WARNING:

Technical specifications and product sizes can be varied by the manufacturer - without notice. Size for appliance installation should only be by physical product measurements. The supplied information is indicative only.

WARRANTY

IKON Commercial Limited (IKON), as a NZ importer, hereby warrants (subject to the exclusions and conditions set out below) to the consumer (the consumer) of the brands of electrical appliances supplied directly or indirectly by or from IKON that the product (the Product) shall be free from manufacturing defects in materials or workmanship for a period of 2 years (24 months) from the date of original purchase of the Product from IKON or from the retailer (as the case may be).

Subject to the below mentioned exclusion and conditions, the obligations of IKON under this warranty shall be limited to either of the following (at IKON's sole option):

1. To without charge repair or replace the defective Product (or the defective parts thereof) and to reinstall the repaired or replaced product (or to pay reasonable costs of installation);

or

2. To refund the Consumer the original purchase price for the defective Products:

WARRANTY CONT:

AND such repair, replacement or refund shall constitute fulfilment of all of IKON's obligations under this warranty. To the extent permitted by law IKON will not whether by virtue of this warranty or otherwise be liable for and hereby disclaim any liability for any incidental, economic or consequential loss, expenditure or damage, directly or indirectly suffered by the Consumer or any other person in respect to any defect in the Product.

This warranty does not apply if:

1. The Product has been installed, used or cared for in any improper manner or otherwise contrary to any specifications, instructions or recommendations contained in any brochure or materials supplied on the original purchase of the product.
2. Any attempt is made to repair or modify the product in any way by any person without written authority of IKON.
3. Installation of the Product has occurred without regard to the installation instruction provided and full consideration is given to all regulatory codes covering electrical, gas and plumbing installations.
4. That this warranty does not extend to:
 - a) optional glass lids for hobs apart from claims which relate to mechanical or physical damages thereof at the date of purchase;
 - b) light globes of any ages;
 - c) damage to the ceramic glass caused by liquid or solid spillover, lack of maintenance or impact;
 - d) damage to surface coatings caused by cleaning or maintenance using products not recommended by the owners handbook;
 - e) defects caused by normal wear and tear, accident, negligence, alteration or misuse;
 - f) The Product is not in the possession of the original Consumer;
 - g) The Product has been dismantled, repaired or serviced by other than an authorised IKON service person.
5. A claim under this warranty is not notified in writing to IKON within a reasonable period after the defect in the Product would have become apparent to a reasonable person.

Any claim under this warranty must be made in writing to IKON (at PO BOX 15158, Dinsdale) and must be supported by reasonable evidence of the date of original purchase of the Product and suspected defects in the Product must be made available for inspection by IKON or it's authorised representatives.

Nothing in this Product warranty shall override or negate any statutory right or remedy that may be available to the Consumer under the Consumer Guarantees Act 1993, except where the Consumer has acquired Product for the purposes of business or commercial use.

Disclaimer

IKON Commercial Limited, is constantly seeking ways to improve the specifications, design and production of the Product. Alterations take place continually. Whilst every effort is made to produce up to date literature, brochures should not be regarded as an infallible guide to the current specifications, nor does it constitute an offer for the sale of any particular Product.

Product cutouts indicated in our literature are indicative only. Actual examples of the Product only should only be used to define cutout sizes. Distributors, agents and retailers have no authority to bind IKON by any express or implied undertaking or representation.



18 Charlies Way, Frankton, Hamilton, New Zealand, 3204
Phone 0800 83 83 84 Fax 0800 83 83 85
Website www.ikoncommercial.co.nz

Available from:

